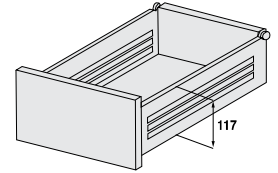


# Harn Impaz

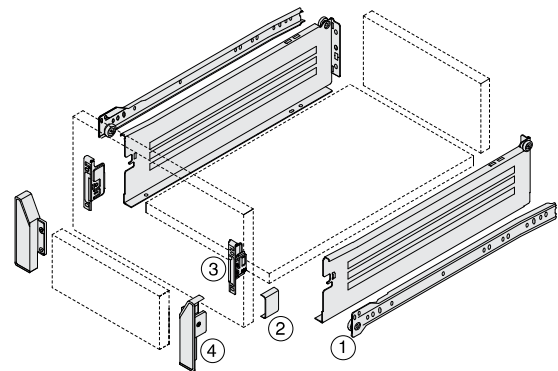





## Impaz Standard Drawer/Inner Drawer T – Single Extension

- Single extension
- Steel drawer side panels 117mm
- Epoxy coated
- Load capacity of 30kg
- Self closing feature
- Flexible 2-dimensional front adjustment
- Smooth rolling mechanism
- Double out-stop safety feature
- Locked-in position when fully extended



\*Please contact us directly to discuss your Harn Impaz requirements so that we may offer you the best possible pricing structure.

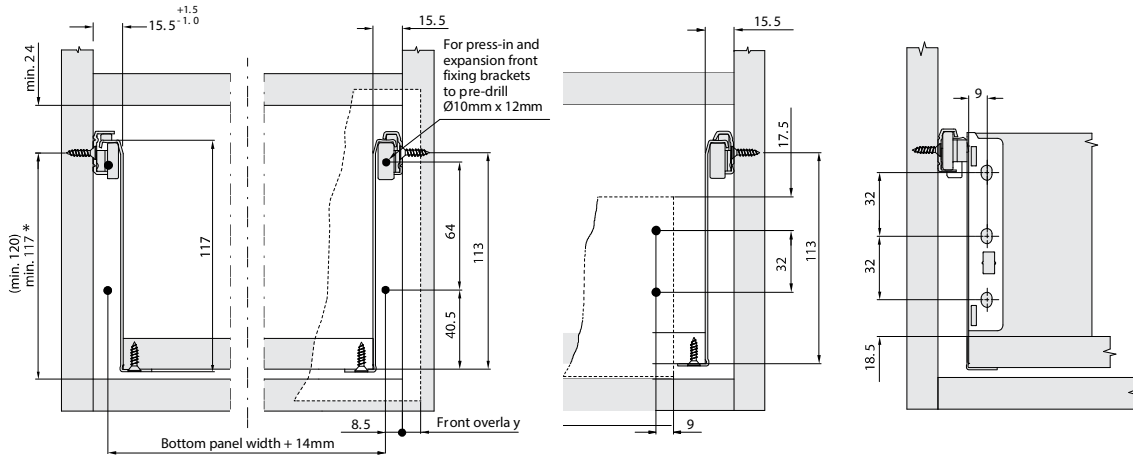


				Size	Finish	Sales Unit
	<b>Screw On Base Fixing</b>	<b>Plug On Base Fixing</b>				
① Drawers	4320.25			250mm	WH	Set
	4320.35	4321.35		350mm	WH	Set
	4320.40	4321.40		400mm	WH	Set
	4320.45	4321.45		450mm	WH	Set
	4320.50	4321.50		500mm	WH	Set
	4320.55	4321.55		550mm	WH	Set
②	Cover caps - See page 4.113					
	<b>Part No.</b>	<b>Part No.</b>	<b>Part No.</b>			
	<b>Screw-on</b> 	<b>Knock-in</b> 	<b>Expansion</b> 			
③ Front Fixing Brackets	Screw-on	RBF11240.RH	RBF12240.RH	RBF13240.RH	Right	-
		RBF11240.LH	RBF12240.LH	RBF13240.LH	Left	-
	Clip-on	RBF16040.RH	RBF17040.RH	RBF18040.RH	Right	-
		RBF16040.LH	RBF17040.LH	RBF18040.LH	Left	-
④ Internal Fixing Brackets	RBF33040.RH			Right	WH	Ea
	RBF33040.LH			Left	WH	Ea

## Space Requirements & Front Installation Dimensions

## Back Installation Dimensions

### Inner Drawer



( ) Inner Drawer \* Add 8mm when used with 201.000 Drawer Front Locking Piece.

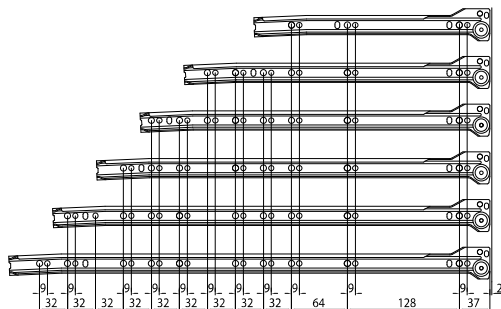
## Cabinet Profile Screw Positions

## Cutting Dimensions for 16mm Chipboard

### Drawer Length

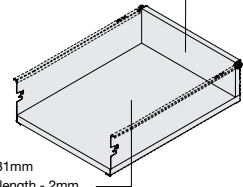
- 250mm
- 350mm
- 400mm
- 450mm
- 500mm
- 550mm

Min. Internal Cabinet Depth = Drawer Length + 3mm



### Standard Drawer

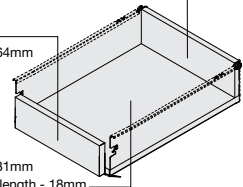
Back Panel  
Width = internal cabinet width - 31mm  
Height = 103mm



Bottom Panel  
Width = internal cabinet width - 31mm  
Length (wooden back) = Drawer length - 2mm

### Inner Drawer

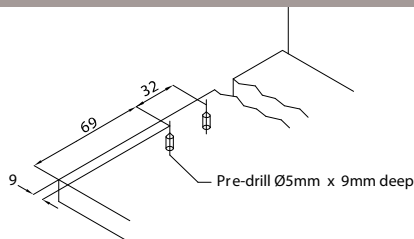
Back Panel  
Width = internal cabinet width - 31mm  
Height = 103mm



Front Panel  
Width = internal cabinet width - 64mm  
Height = 93mm

Bottom Panel  
Width = internal cabinet width - 31mm  
Length (wooden back) = Drawer length - 18mm

## Pre-drilling Dimensions of Bottom Panel for Plug in



For drawers over 700mm in width we recommend the use of the Euro Orvel Lock & Support for Wide Drawers. Ref page 4.94.